



Deepak Rajendraprasad
Ph.D. from Indian Institute of Science Bangalore
Assistant Professor
Computer Science & Engineering
deepak@iitpkd.ac.in,
<https://iitpkd.ac.in/people/deepak>

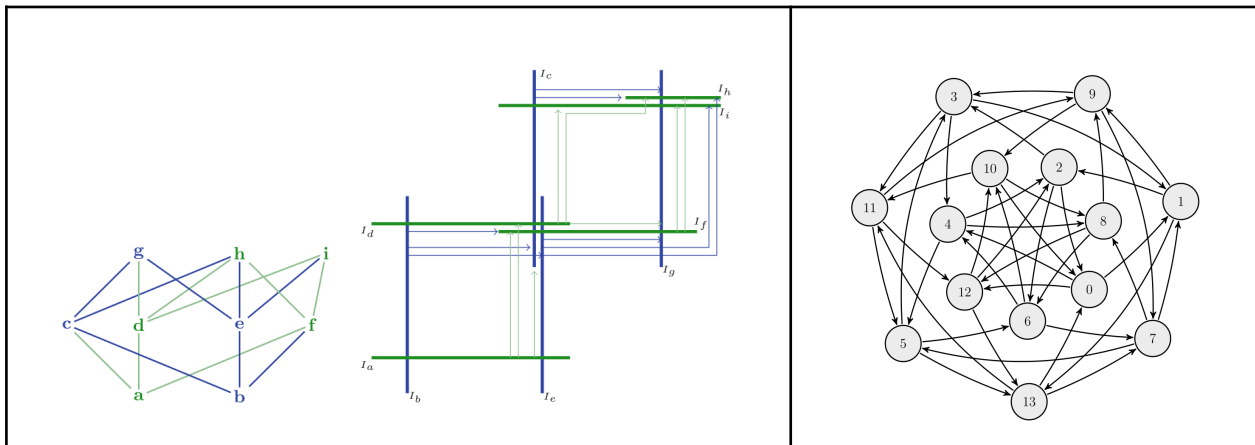


Research Interests

- Combinatorics
- Graph Theory
- Algorithms & Complexity

Brief Summary of Research

My research experience so far has been primarily in combinatorics and algorithms arising from combinatorial observations. I have worked mostly in the areas of graph representations, graph colouring, graph orientations, partial orders, permutations, simplicial complexes and property testing.



Projects

- MATRICS Grant 2020-23 (6,00,000 INR)

Recent Publications

- *On graphs whose eternal vertex cover number and vertex cover number coincide.* Jasine Babu, Sunil Chandran, Mathew Francis, Veena Prabhakaran, Deepak Rajendraprasad, and Nandini J. Warriar. Discrete Applied Mathematics, In Press, February 2021.
- *Oriented Diameter of Star Graphs .* K. S. Ajish Kumar, Deepak Rajendraprasad, and K. S. Sudeep. Discrete Applied Mathematics, In Press, February 2021.
- *New bounds on the Ramsey number $r(I_m, L_n)$.* Ferdinand Ihringer, Deepak Rajendraprasad, and Thilo V Weinert. Discrete Mathematics, Volume 344(3), March 2021.